



3D MODELLING

FEM ANALYSIS

CE MARKING

PROTO STUDI s.r.l.s.

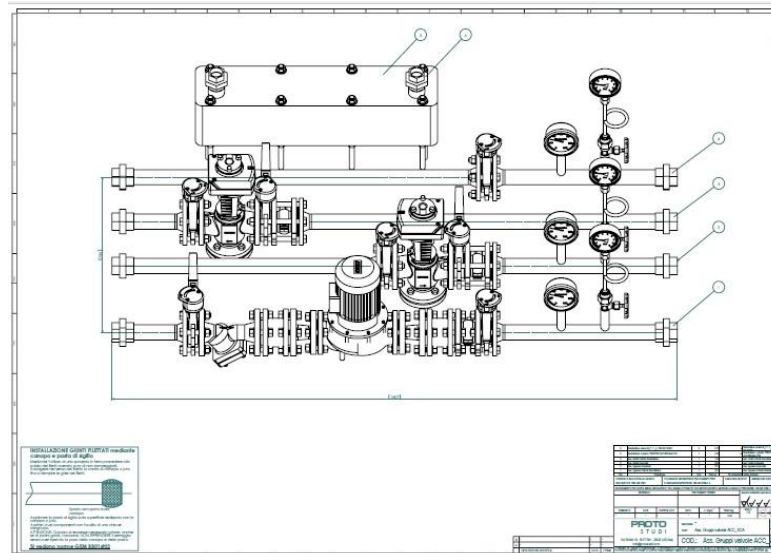
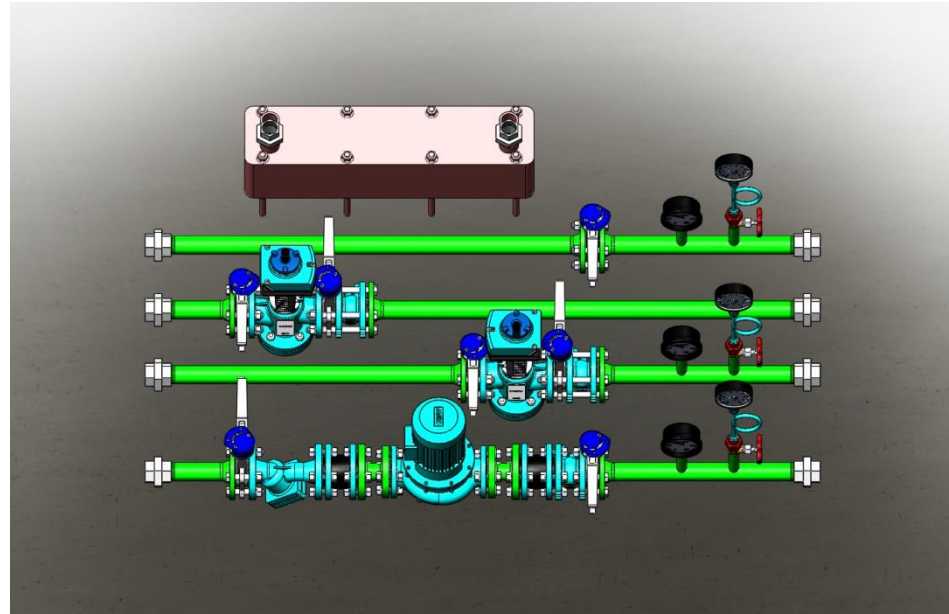
Registered office: Piazza S. Valentino 54/7, 33031 Basiliano (UD) - Headquarters: Via Roma 18, 33042 Buttrio (UD) - C.F./P.I.: 02770010300

Mail: info@protostudi.com - Sergio Guglione: 338/2267606 - Ing. Antonio Casolino: 329/3304480

Modeling of parts and assemblies.

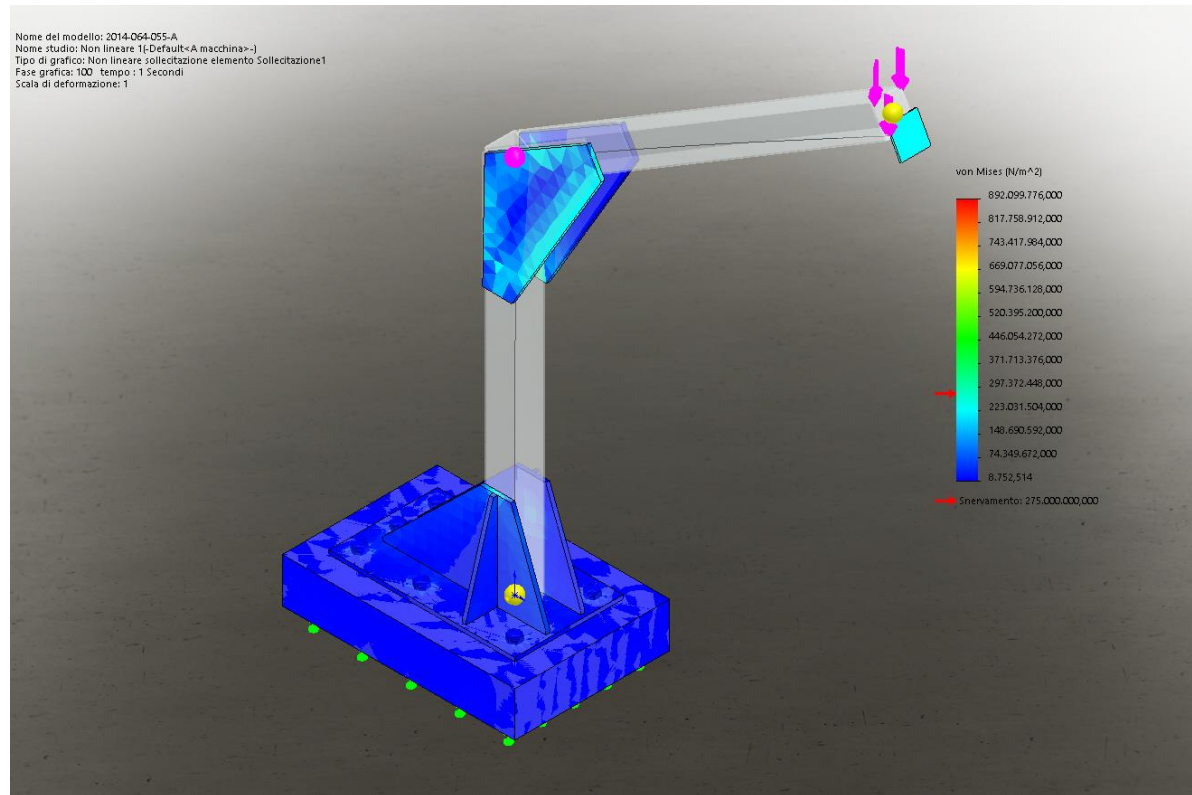
3D modelling allows you to generate the individual parts and compose the final assembly, formalizing the required connections, (bolted, welded, etc.) generating bills and regenerating them to any changes made in the drawings, keeping track of all revisions.

- 3D MODELLING



• FEM ANALYSIS

You can verify FEM modeled on the details, checking efforts, strains on drawn objects, and the safety factor, e.g. the bolted connections.



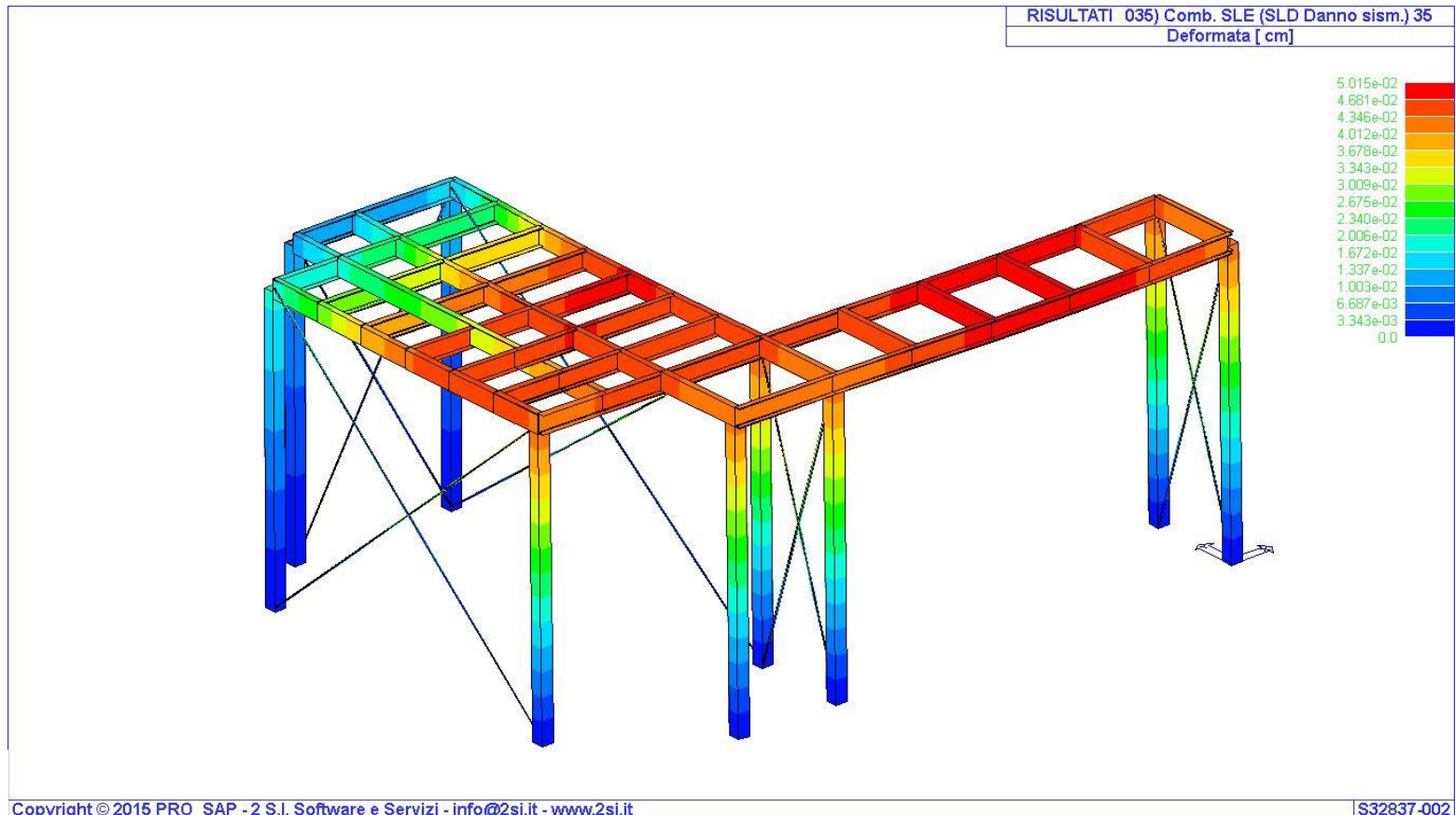
FEM ANALYSIS

Tools used for 3D modeling allows us to: perform verification FEM drawn on the details, and to produce for the same, a clear report indicating the types of load applied, the states of deformation generated, the safety factors of bolted connections, etc.

- REDEVELOPMENT of STRUCTURES and STRUCTURAL CALCULATIONS

The redesign and testing of existing structures

We have the opportunity to check existing structures to recertify them according to update standards and follow the customer in the performance of administrative practices.



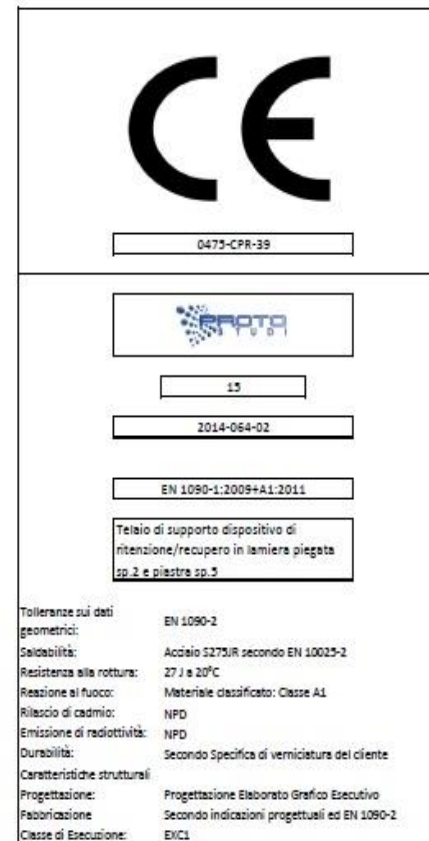
• DESIGN AND “CE” MARKING

The writing of the certification according to customer specifications, allowing the "ProtoStudi" to act as added value to all the companies that do not want or cannot handle, in whole or in part, the project with its own staff.

In addition to the above, we can provide the customer with advice for the Machinery Directive 2006/42 / EC and the UNI EN 1090-1 / 2 (compulsory from July 2014).



EXAMPLE of “CE” MARKING





PROTO STUDI s.r.l.s.

Registered office : Piazza S. Valentino 54/7, 33031 Basiliano (UD) - Headquarters: Via Roma 18, 33042 Buttrio (UD) - C.F./P.I.: 02770010300
Mail: info@protostudi.com - Sergio Guglione: 338/2267606 - Ing. Antonio Casolino: 329/3304480